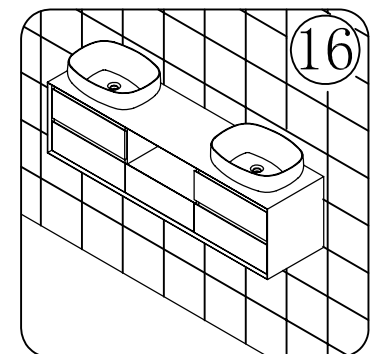
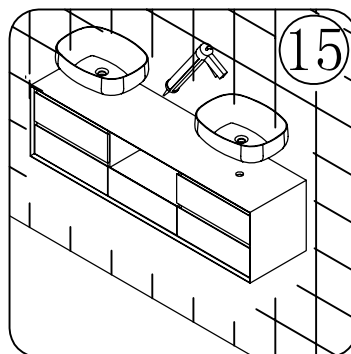
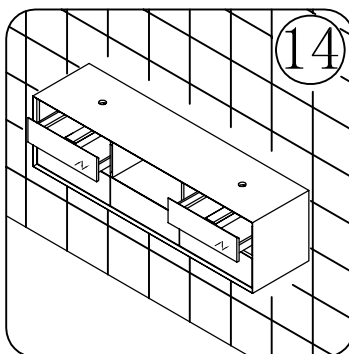
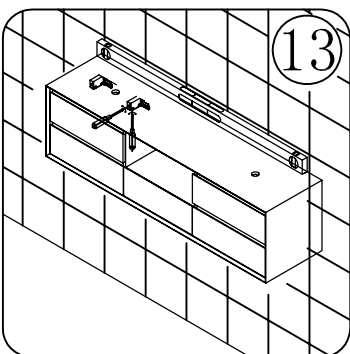
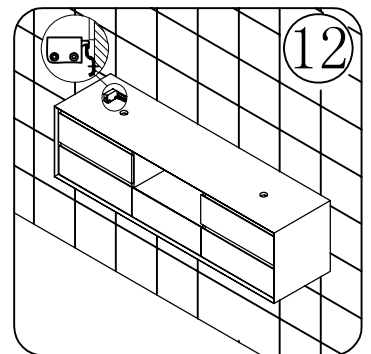
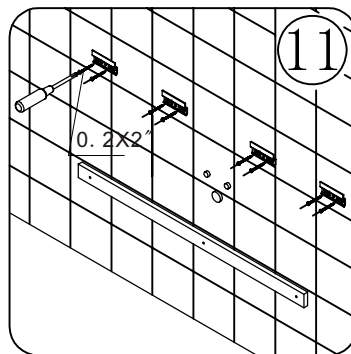
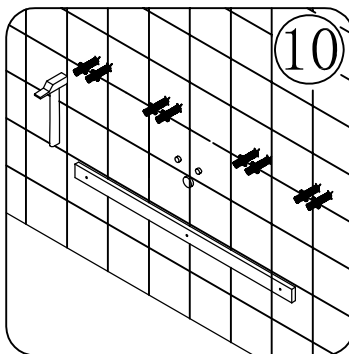
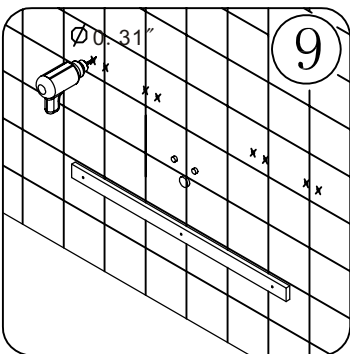
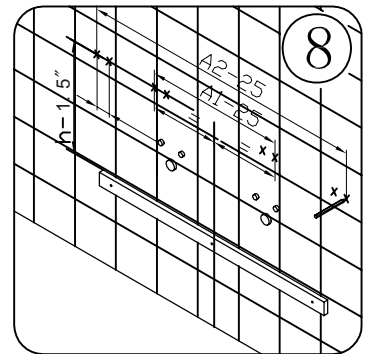
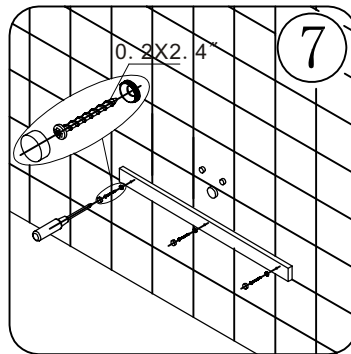
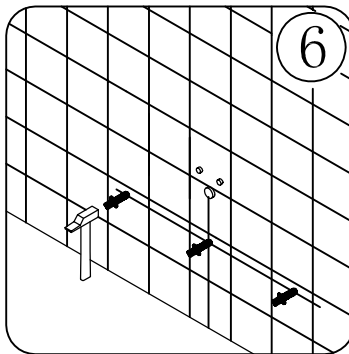
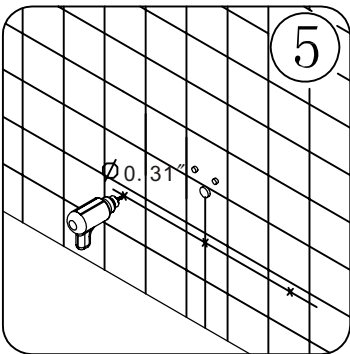
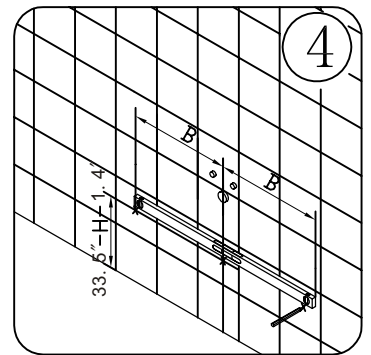
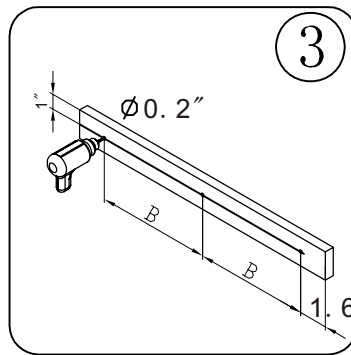
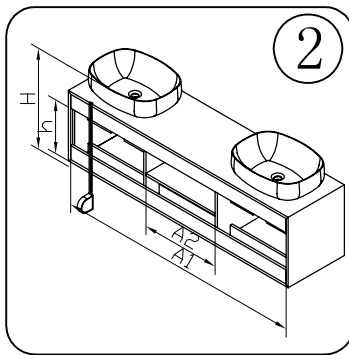
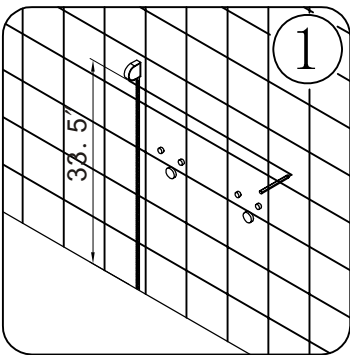
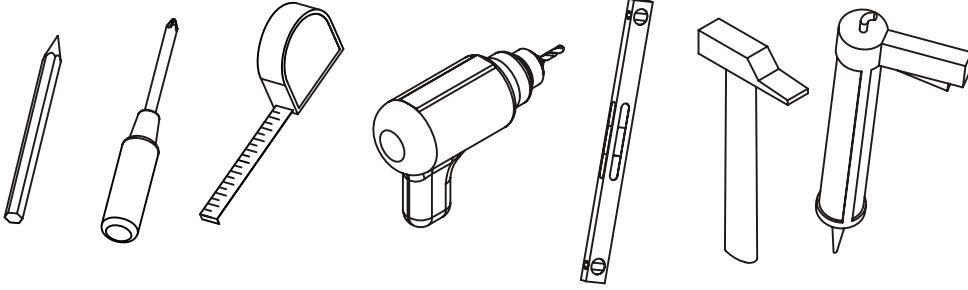


# Ancerre

D E S I G N S

VTS-CATHERINE-63-W

## REQUIRED TOOLS:

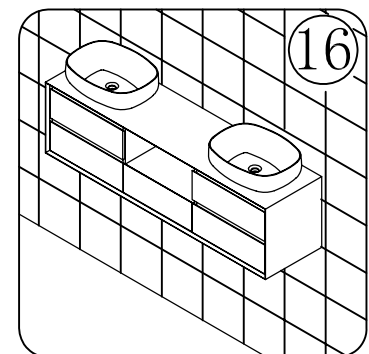
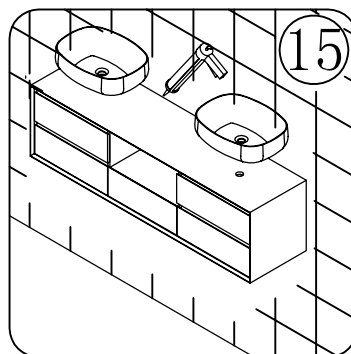
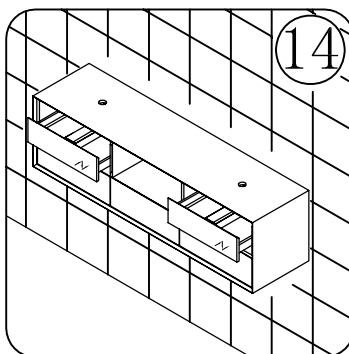
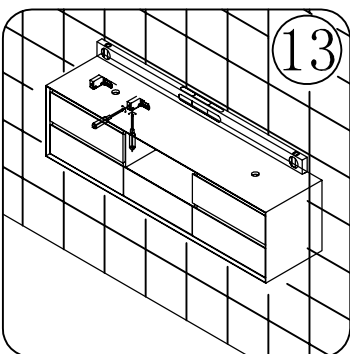
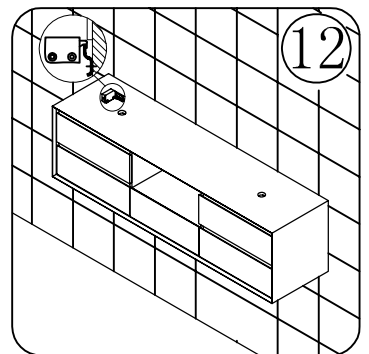
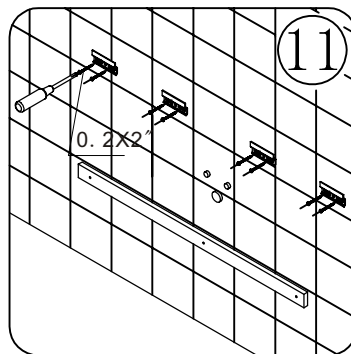
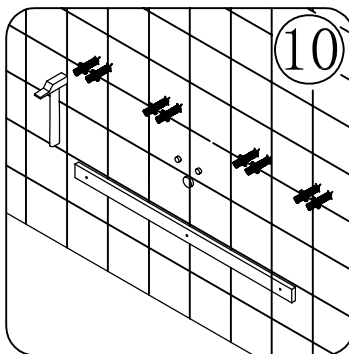
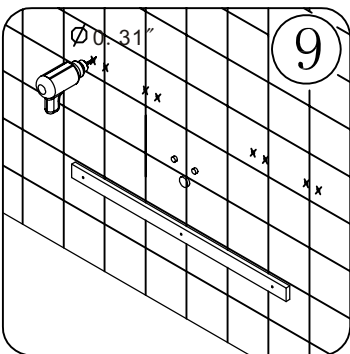
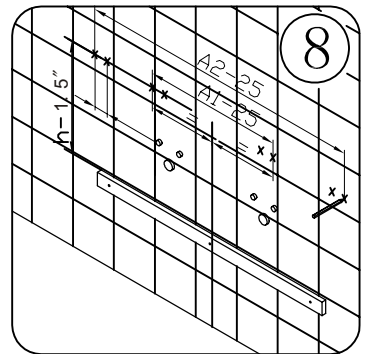
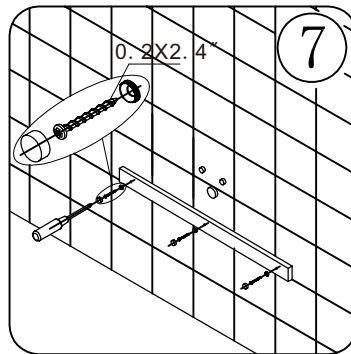
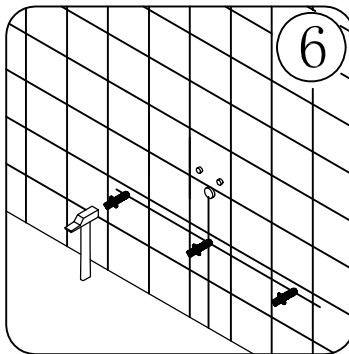
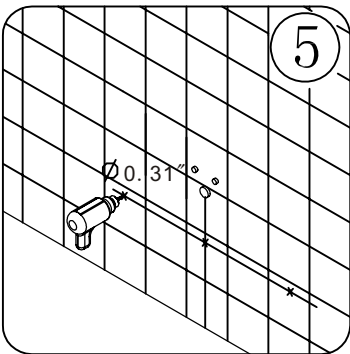
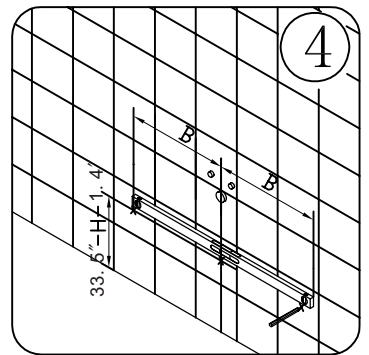
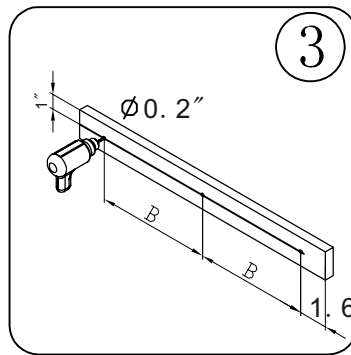
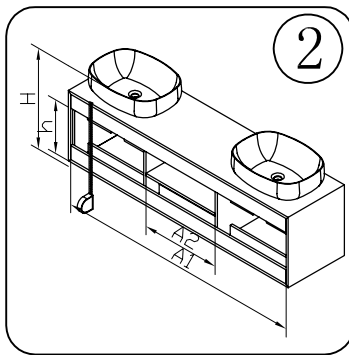
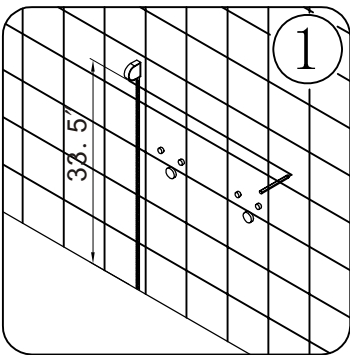
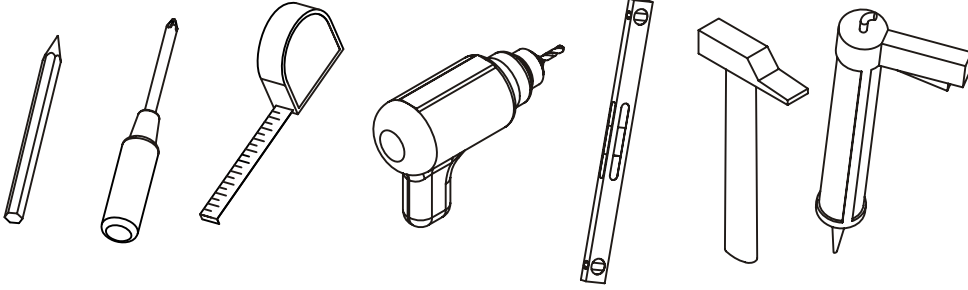


# Ancerre

D E S I G N S

VTS-CATHERINE-72-W

## REQUIRED TOOLS:

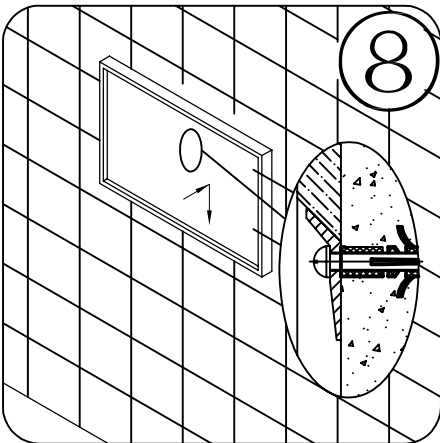
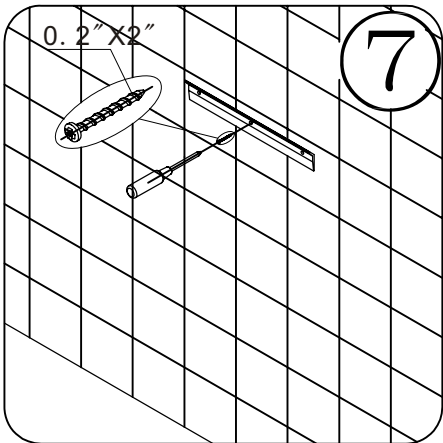
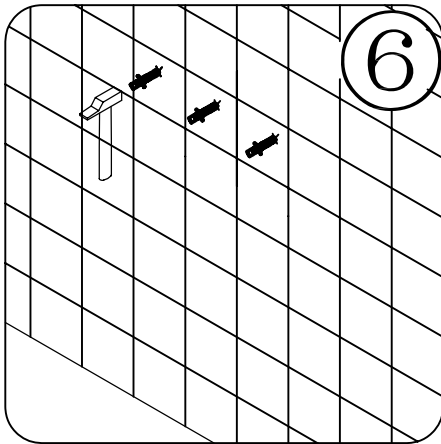
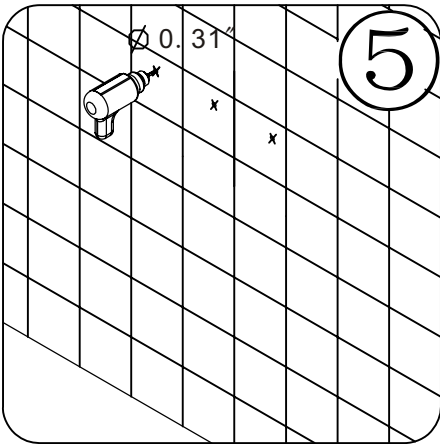
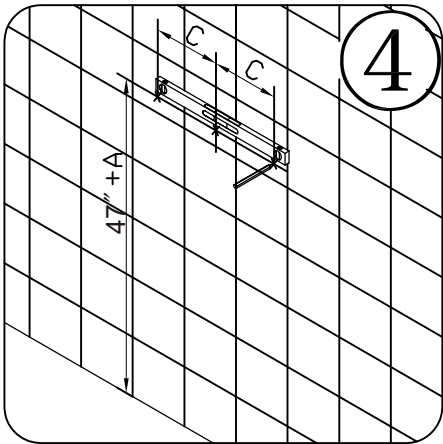
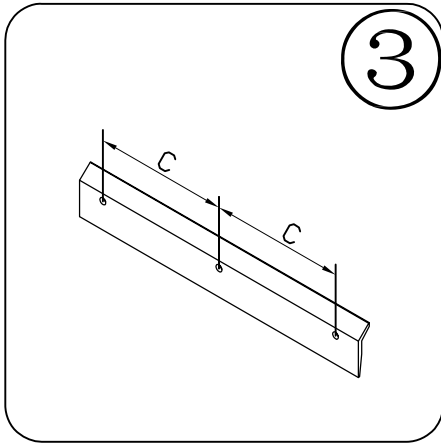
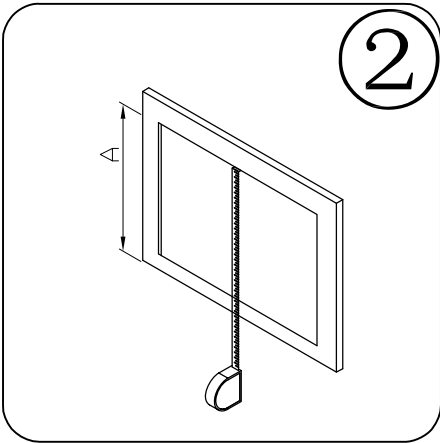
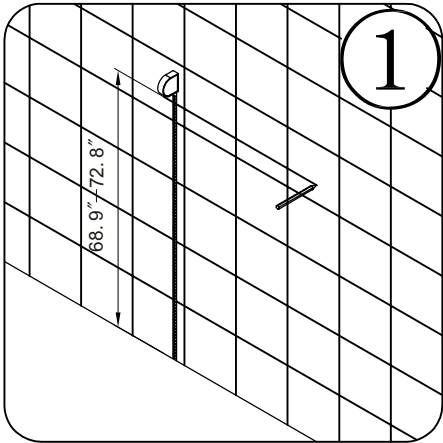
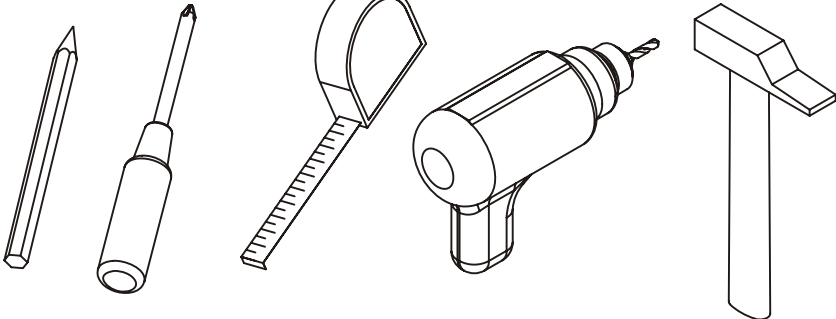


# Ancerre

D E S I G N S

M-GWYNETH-55-MW

REQUIRED TOOLS:



# Ancerre

D E S I G N S

M-GWYNETH-63-MW

## REQUIRED TOOLS:

