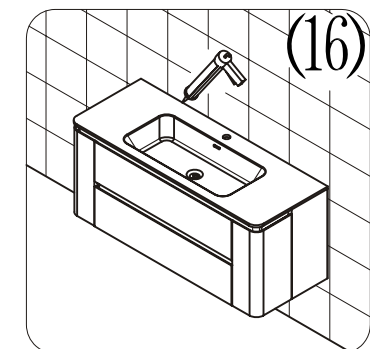
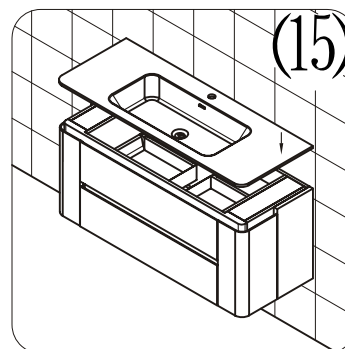
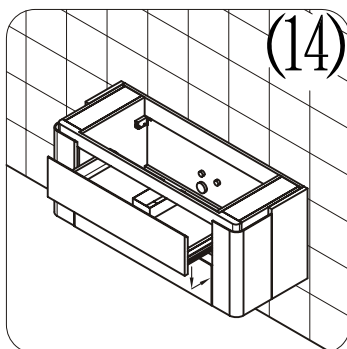
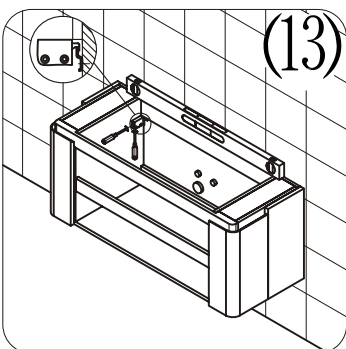
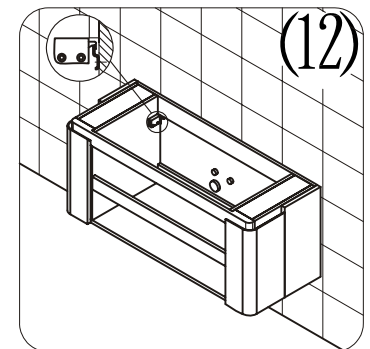
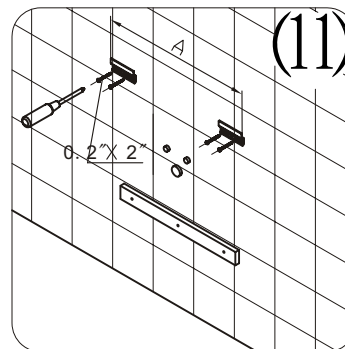
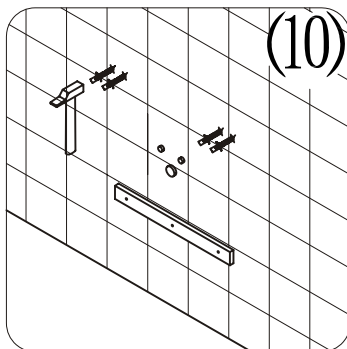
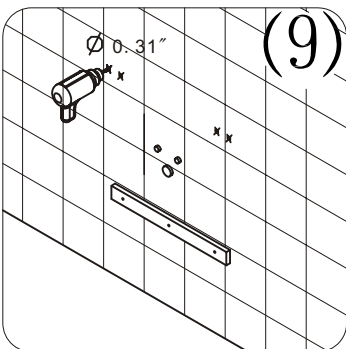
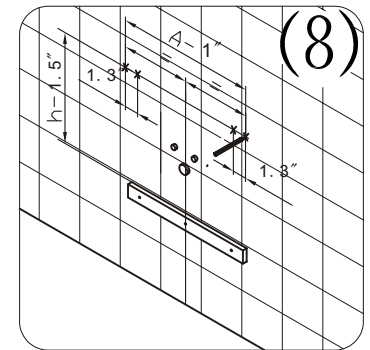
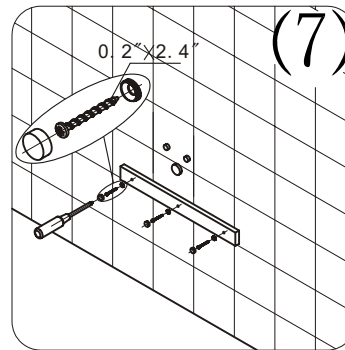
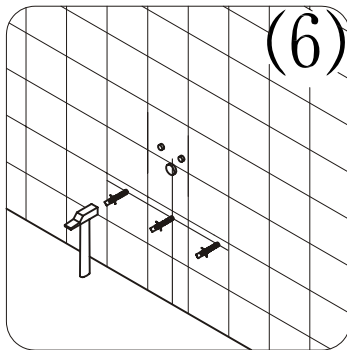
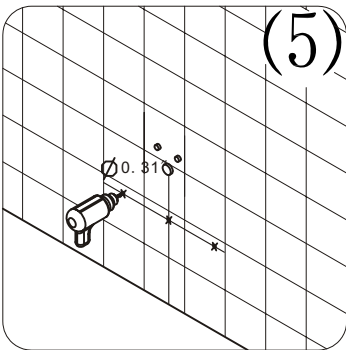
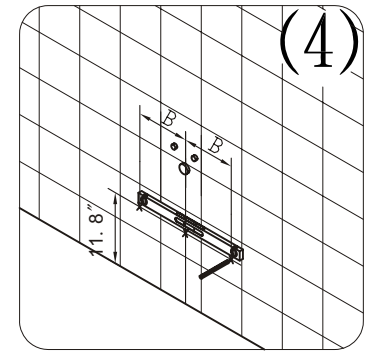
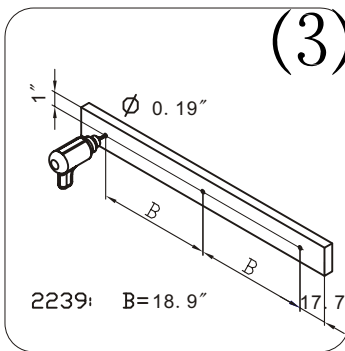
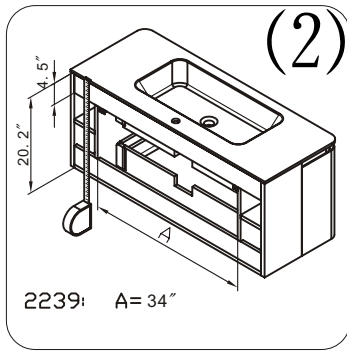
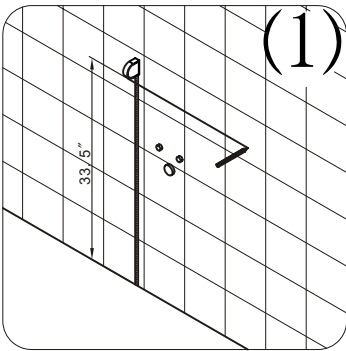
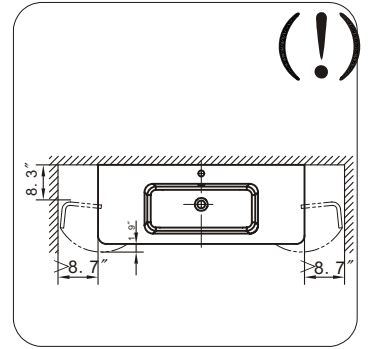
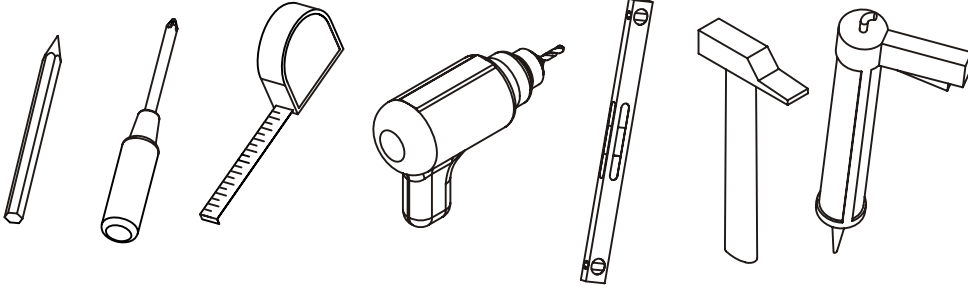


Ancerre

D E S I G N S

VTS-GWYNETH-48-W-MW

REQUIRED TOOLS:

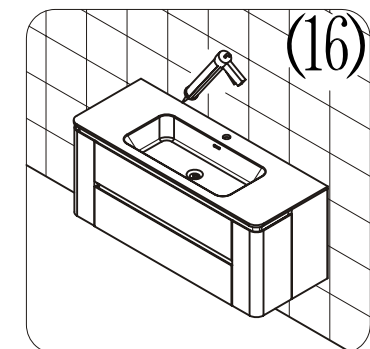
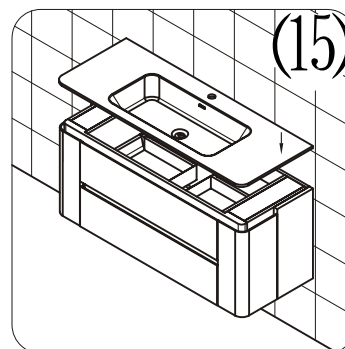
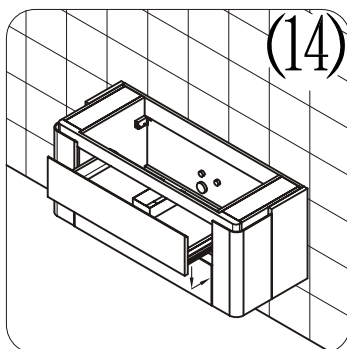
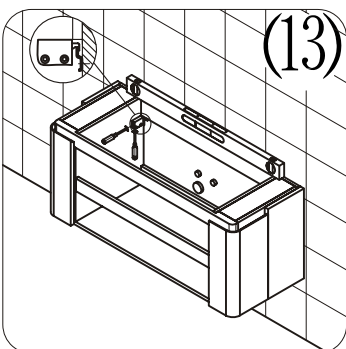
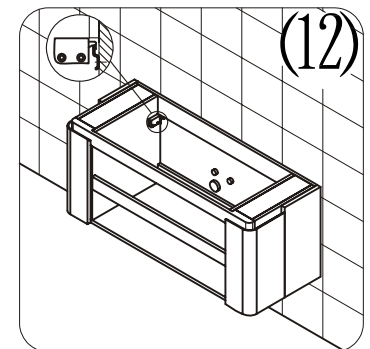
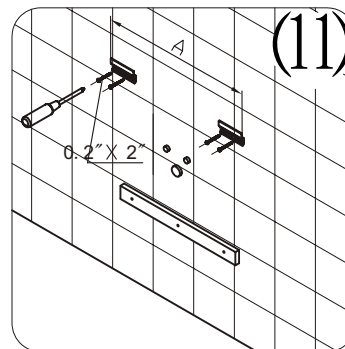
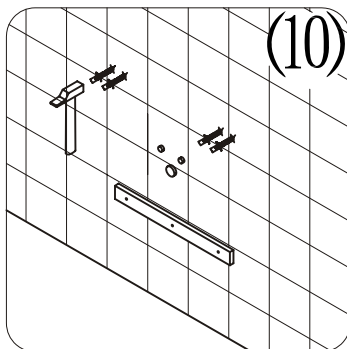
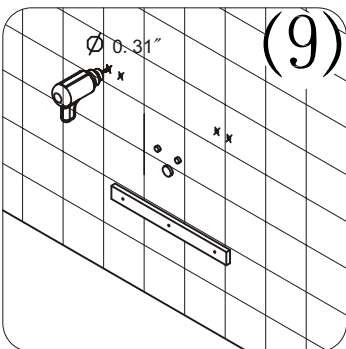
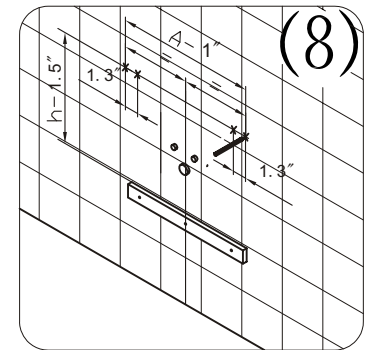
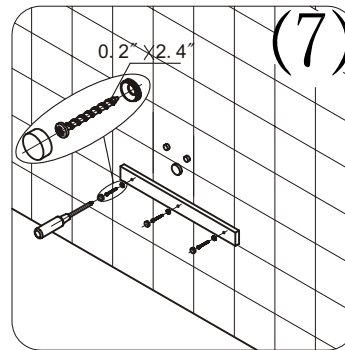
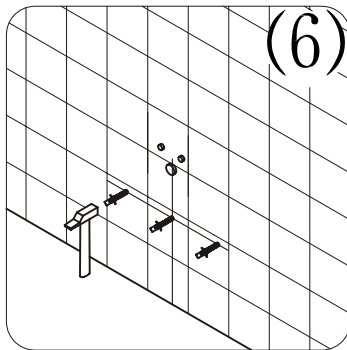
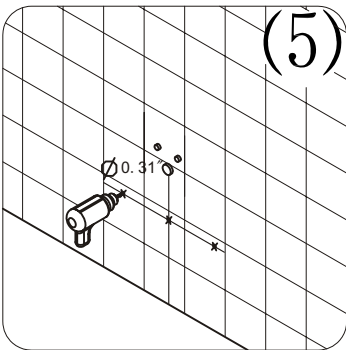
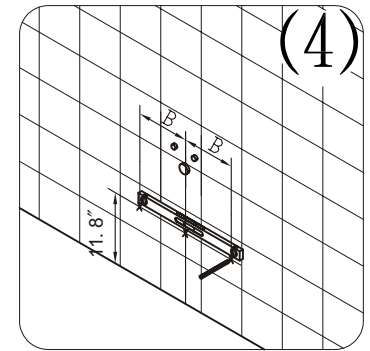
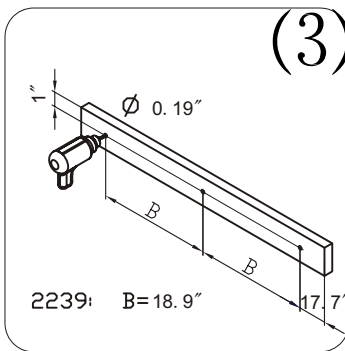
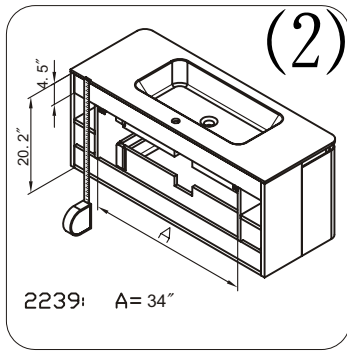
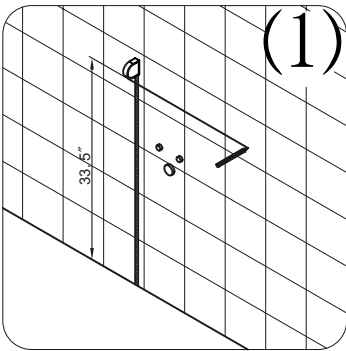
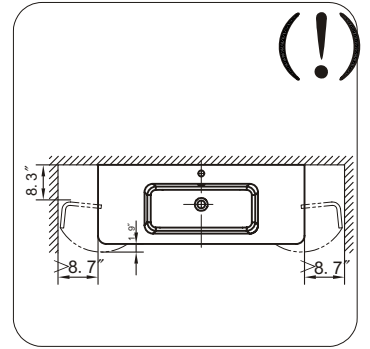
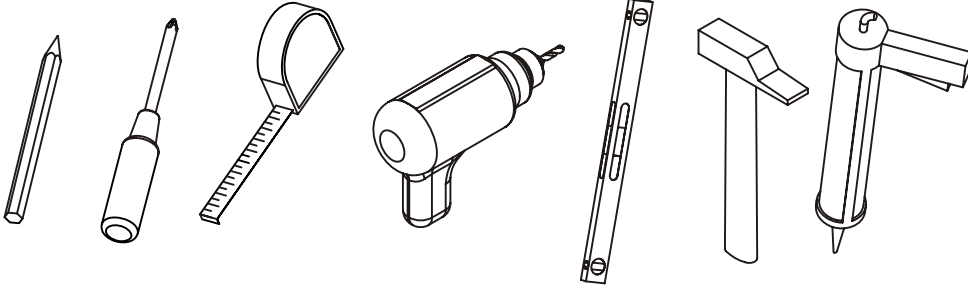


Ancerre

D E S I G N S

VTS-GWYNETH-55-W-MW

REQUIRED TOOLS:

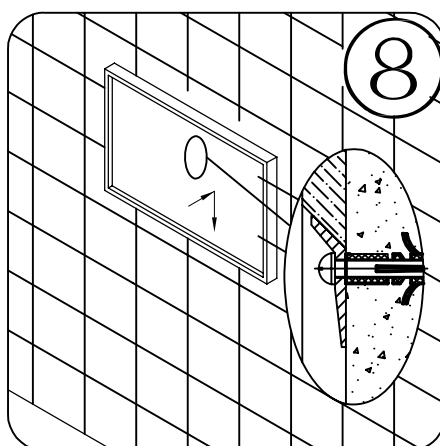
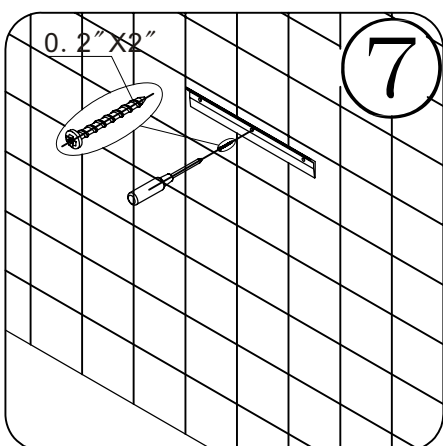
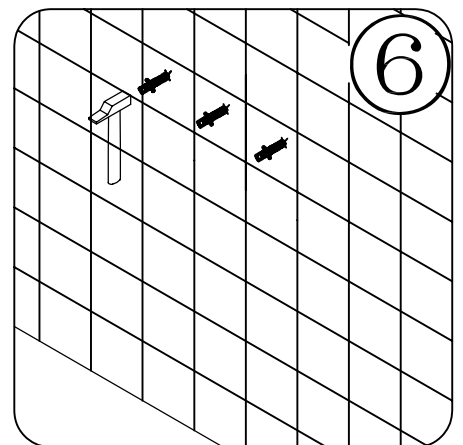
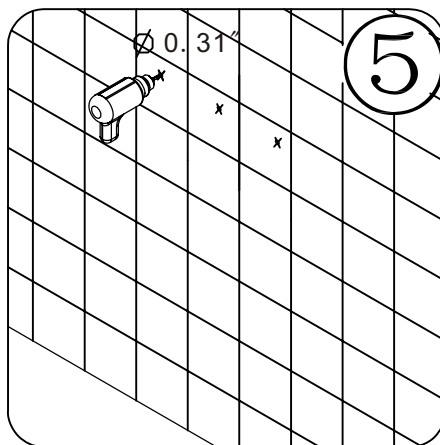
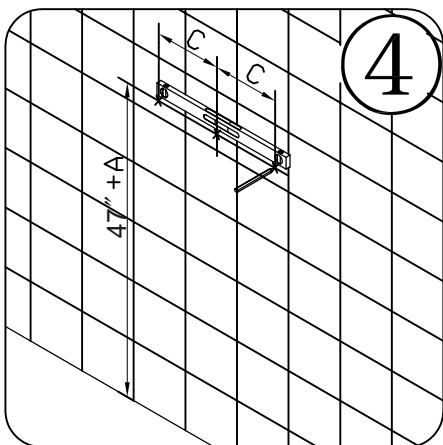
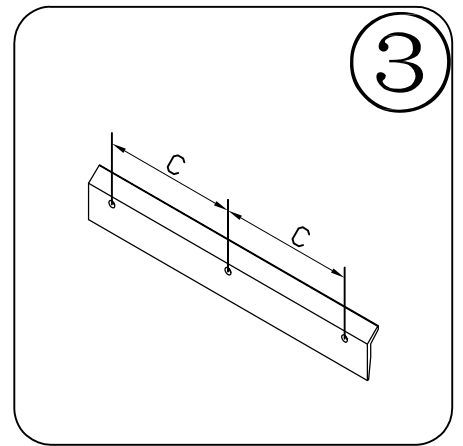
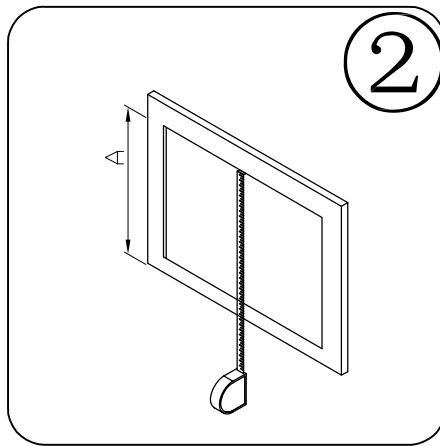
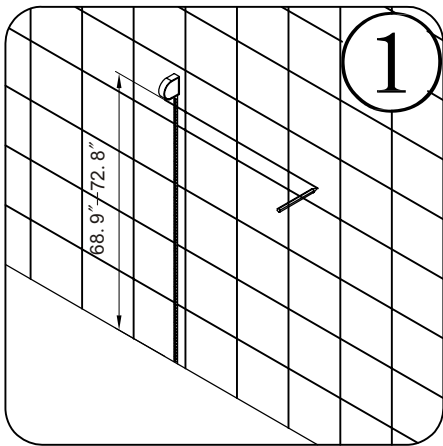
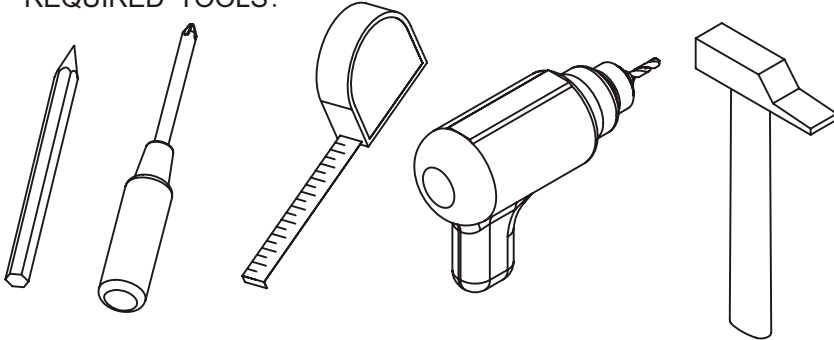


Ancerre

D E S I G N S

M-GWYNETH-40-MW

REQUIRED TOOLS:



Ancerre

D E S I G N S

M-GWYNETH-48-MW

REQUIRED TOOLS:

